

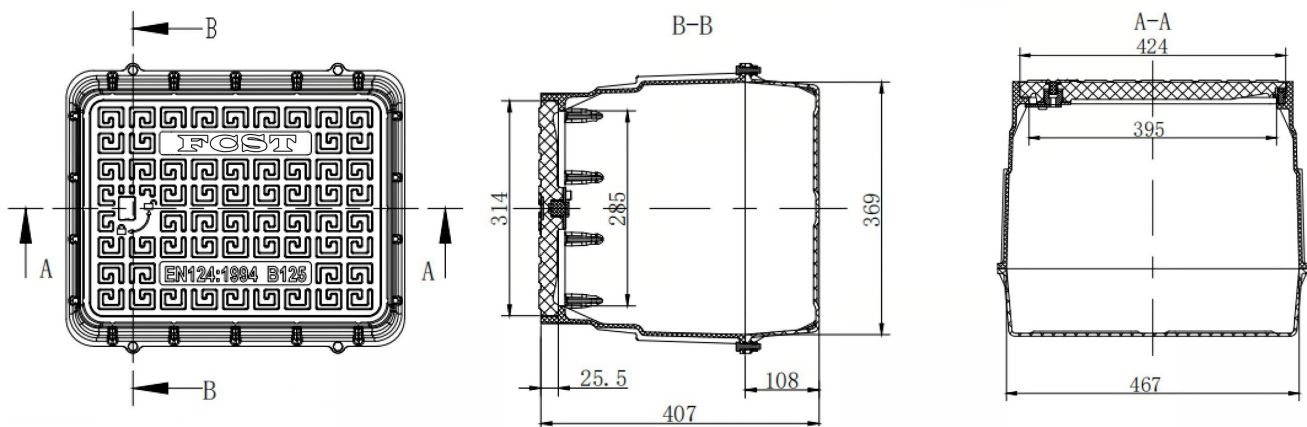
FCST-TH-SMC04 SMC TELECOM HANDHOLE CHAMBER



- Strong corrosion resistance.
- Good resistance to high and low temperature.
- Easy installation.
- Convenient transportation and cost reduction.
- Long service life(30years).
- Height adjustable.

Product Size

External Size(L*W*H)	Internal Dimensions(L*W*H)	Manhole Cover Load Grade
495*369*407mm (19.489"x14.528"x16.024")	424*314*376.5mm (16.693"x12.363"x14.823")	A15(1.5T/)/B125(12.5T)



Ordering Information

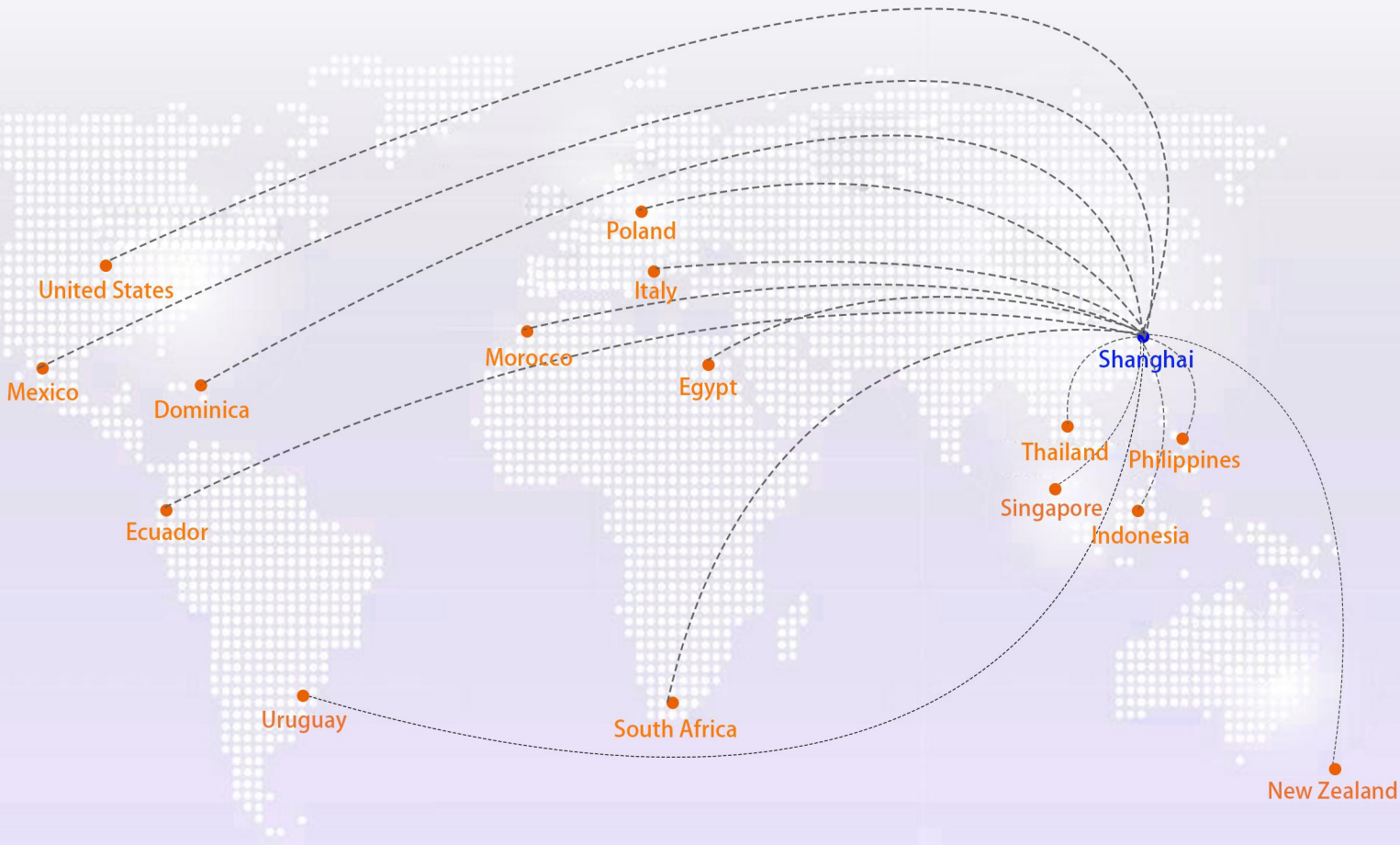
FCST-TH-SMC04 SMC Telecom Handhole Chamber

Cover Load Grade

A15	1.5T
B125	12.5T



Fiber Cable Solution Technology Co.,Ltd.



Overseas Agency

www.fcst.com www.micro-duct.com



FCST - Better FTTx, Better Life.

At FCST, we manufacture top-quality microduct connectors, microduct closure, telecom manhole chambers and fiber splice boxes since 2003. Our products boast superior resistance to failure, corrosion, and deposits, and are designed for high performance in extreme temperatures. We prioritize sustainability with mechanical couplers and long-lasting durability.

FCST aspires to a more connected world, believing everyone deserves access to high-speed broadband. We're dedicated to expanding globally, evolving our products, and tackling modern challenges with innovative solutions. As technology advances and connects billions more devices, FCST helps developing regions leapfrog outdated technologies with sustainable solutions, evolving from a small company to a global leader in future fiber cable needs.

Rm402 block A Watts gallop tower No.2816 YiXian Rd, BaoShan District, Shanghai 200441.

Tel:+86-21-38726791 +86-21-38726792 Fax:+86-21-38726793