



**Better FTTx,
Better Life.**

HDPE Silicon Core Pipe Coupler (YX,FCST-ERS25~50mm)

M:+86 18720624696

Email:sales@fcst.com

Tel:+86-21-38726791 38726792

Web:www.fcst.com www.micro-duct.com



Product Overview

The HDPE Silicon Core Pipe Coupler, Experience the same fast and easy installation of our Push-Lock couplers now with a new, clear body design. Simply push the duct ends into the coupler for a locked and air-sealed assembly. The non-metallic construction provides excellent corrosion resistance in buried or encased applications and also has desirable dielectric properties.

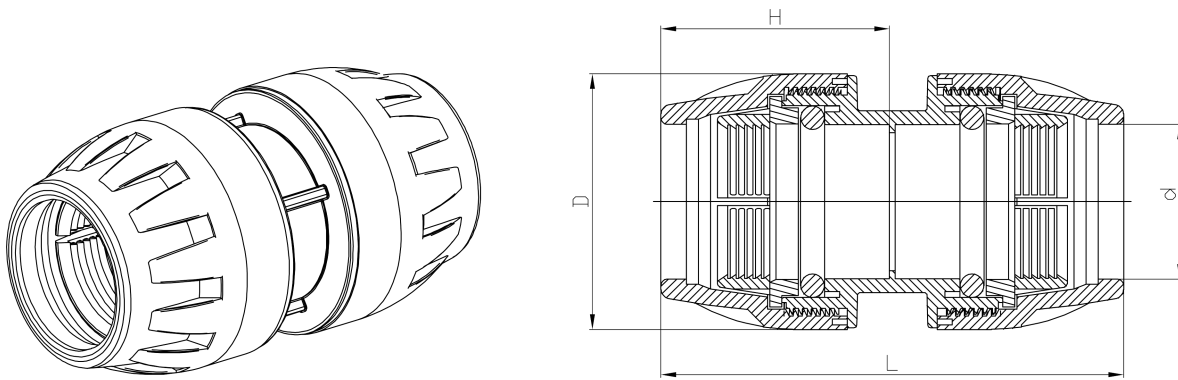
Product Advantages

- Pre-lubricated O-ring is water-tight and air-tight.
- Suitable for both cable pulling & jetting applications.
- Simple, one person 'push-on' assembly lowers installation costs.
- Self-locking ring design assembles in seconds and is re-enterable.
- High strength molded plastic body is ideal for buried duct applications.
- The visual confirmation of the pipe within the coupler ensures that it has been properly seated at the center stop.

Product Specifications

Construction	Description
Material	PP
Reference Standard	JT/T496-2004、 Q/KL020-2005
Appearance	Surface gloss, no impurities, no flash, no bubbles, no cracks, complete thread.
Tensile Resistance (Under Tightened State)	≥4300N
Weight(g)	102.3(32mm)
High Temperature Resistance	-40°C~+65°C

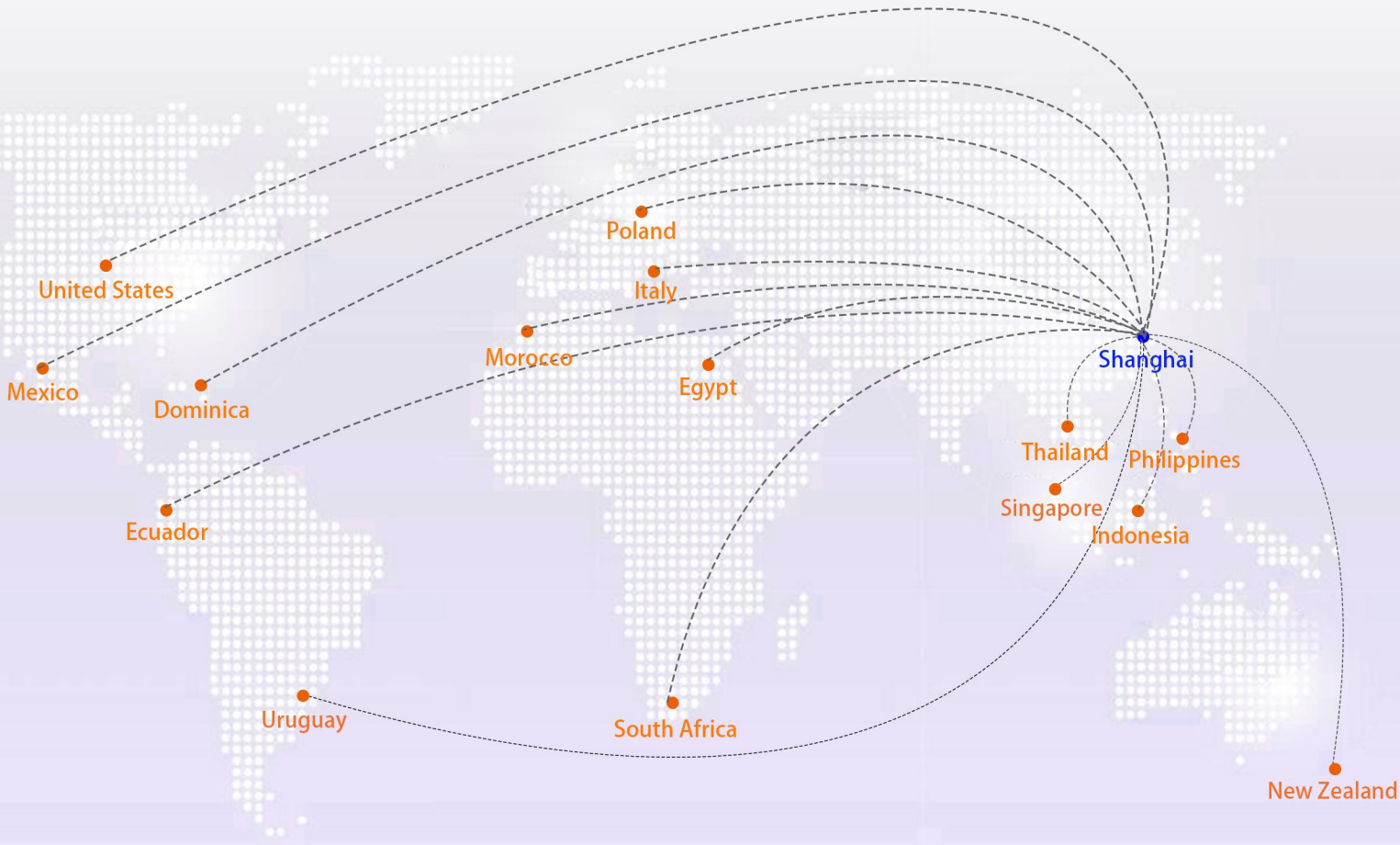
Ordering Information



Model	D	d	H	L	Weight(g)
FCST-ERS25	48.5 ± 0.5	26 ± 0.5	45 ± 1	92.5 ± 1	65.6 ± 0.1
FCST-ERS32	56.5 ± 0.5	33 ± 0.5	54 ± 1	111 ± 1	102.3 ± 0.1
FCST-ERS40	70.5 ± 0.5	41.5 ± 0.5	70 ± 1	142 ± 1	203.6 ± 0.1
FCST-ERS50	84.5 ± 0.5	51.5 ± 0.5	75 ± 1	152 ± 1	319.2 ± 0.1



Fiber Cable Solution Technology Co.,Ltd.



Overseas Agency

www.fcst.com www.micro-duct.com



FCST - Better FTTx, Better Life.

We offer 4 solutions

- FTTH ODN Solution
- Underground Cable Installation Solution
- Aerial Cable Installation Solution
- Fiber Tools & Test Solution

As a FTTx solution supplier, we can also do ODM according to project. We will continue to innovate and contribute more to the construction of the global optical fiber network.

Rm402 block A Watts gallop tower No.2816 YiXian Rd, BaoShan District, Shanghai 200441.

Tel:+86-21-38726791 +86-21-38726792 Fax:+86-21-38726793

M:+86 18720624696 Email:sales@fcst.com